

## GENERATOR SETS FOR ALL PURPOSES



### DESIGN SPECIFICATIONS :

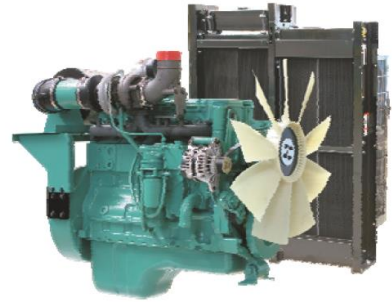
- High quality, reliable, long life and complete Genset unit.
- Suit all purpose and demands.
- Full engineered with a broad range of options:
  - Electrical.
  - Mechanical.
  - Soundproof canopy.
  - Road trailer.

SELECTION TABLE					
GENERATING SETS MODEL	ENGINE MODEL	ELECTRICAL OUTPUT			
		60 Hz, 1800 RPM			
		PRIME		STANDBY	
		KW	KVA	KW	KVA
PRM 375	QSL9-G5	275	344	300	375

**Prime Power** ratings are applicable for supplying electric power with 10% overload capability available for 1h/12h.

**Standby Power** ratings are applicable for supplying electric power in the event of power failure with no overload capability available for these ratings





## STANDARD SPECIFICATION

### ENGINE:

- Cummins Diesel Engine.
- Four stroke, direct injection.
- Turbocharged air-to-air.
- Water Cooling system.
- Radiator with a puller fan.
- Oil and fuel filters.
- Electronic governing
- Heavy duty air cleaner.
- Mounted air filter and turbocharger.
- 24 Volt electric starting.
- Battery charging alternator.
- Industrial type exhaust silencer.

Cummins	
Model	QSL9-G5
Number of cylinders	6 cylinder
Bore and stroke	114 x 145
Displacement	8.8 liters
Cycle	4 cycle, in-line, Turbo Charged, Air-cooled
Fuel System	Direct injection
Battery Charging Alternator	70A
Starting Voltage	24V
Total lubricating capacity	26.5 liters
Cooling system	Water cooled
Total coolant capacity	15 liters

### ALTERNATOR:

No of Bearings	1
Insulation Class	H
protection class	IP 23
Winding pitch	2/3
Excitation system	6 wires SHUNT
No of Poles	4
Voltage	220 – 380
No of Phases	3
Rated power factor	0.8
Voltage Regulation	+ / - 1.0%
Over speed	2250 R.P.M.



## CONTROL SYSTEM:

Standard features of Control Panel is equipped as follows:

### Panel equipment's:

- Sices GC315 Controller.
- Off/On switch.
- Emergency stop push button.
- Circuit breaker (mccb-mcb).

### Display:

LCD 132 x 64 display makes information easy to read .

- Generator / Mains Voltage :(L-L / L-N).
- Generator Ampere (L1,L2,L3).
- Generator and Mains Frequency (Hz).
- Generator kVA, Kw (L1,L2,L3 and total)
- Engine temperature (°C&°F).
- Engine oil pressure (PSI-Bar).
- Battery voltage.
- Engine hours run.



### Alarm:

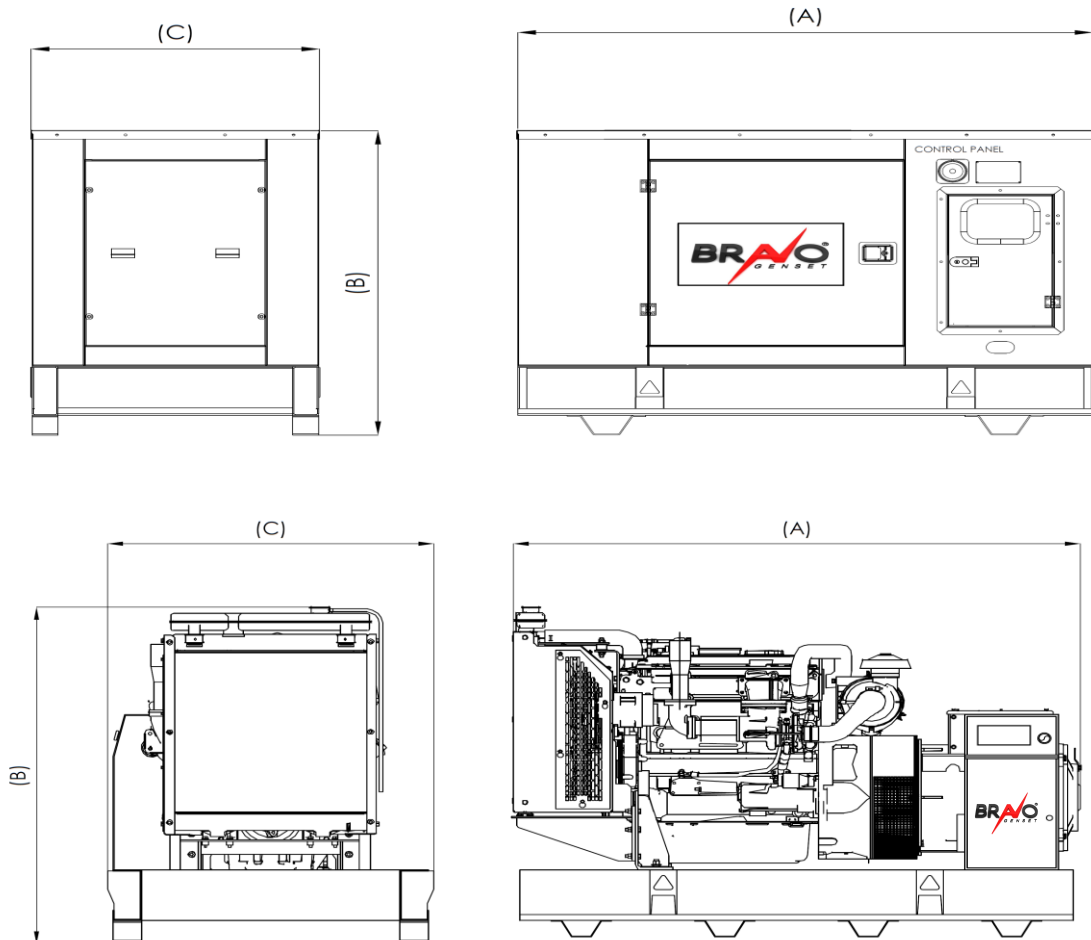
Alarm indicator leds for The panel automatically stops the Genset in case of any abnormal running operation occurred, such as:

- ✓ High engine temperature
- ✓ Low Oil Pressure
- ✓ Over / Under Speed.
- ✓ Over Current
- ✓ Over / Under frequency.
- ✓ Over / Under voltage.
- ✓ Charge fail.
- ✓ Start and Stop Failure.
- ✓ Emergency stop.
- ✓ Low and High Battery Voltage.
- ✓ Unbalanced load.
- ✓ Belt breakage.



Fuel Consumption	
Fuel Consumption for prime power	75L/hr.
Daily Fuel Tank capacity for the Canopy	900L
Daily Fuel Tank capacity for the Open	430L

Overall Dimensions and Approximate Weight					
Type	Engine Model	Dimensions (Mm)			Genset Weight
		A	C	B	Kg
Open	QSL9-G5	3010	1200	2042	2100
Sound proof	QSL9-G5	4000	1400	1900	3900



## **Bravo Generating Sets Ratings**

Bravo Genset are rated in accordance with ISO 8528-1 standard conditions. Each Genset complies with BS5514, ISO 3046 standard testing conditions for diesel engines and BS EN60034, BS 5000, VDE 0530, NEMA1 MG1-22, IEC 34, CSAC 22.2-100, AS1359 Alternators international standards.

## **Optional Equipment's:**

- ✓ Manual or automatic transfer switch-parallel operation.
- ✓ Remote communication.
- ✓ Stationary, containerized or mobile construction.
- ✓ Enclosures "weatherproof and soundproof".

## **Advantages Canopy:**

- ✓ Our Canopy is Environment Resistant (Powder Paint Coating).
- ✓ All bends performed on metal sheet is through state of the art technology (CNC Machines).
- ✓ Low Density Foam to attenuate sound level and attain low temperature.
- ✓ Our design is achieved by proper calculations and simulations.
- ✓ Clamping/Bolt system of the Canopy.
- ✓ Easily Serviceable Canopy.

